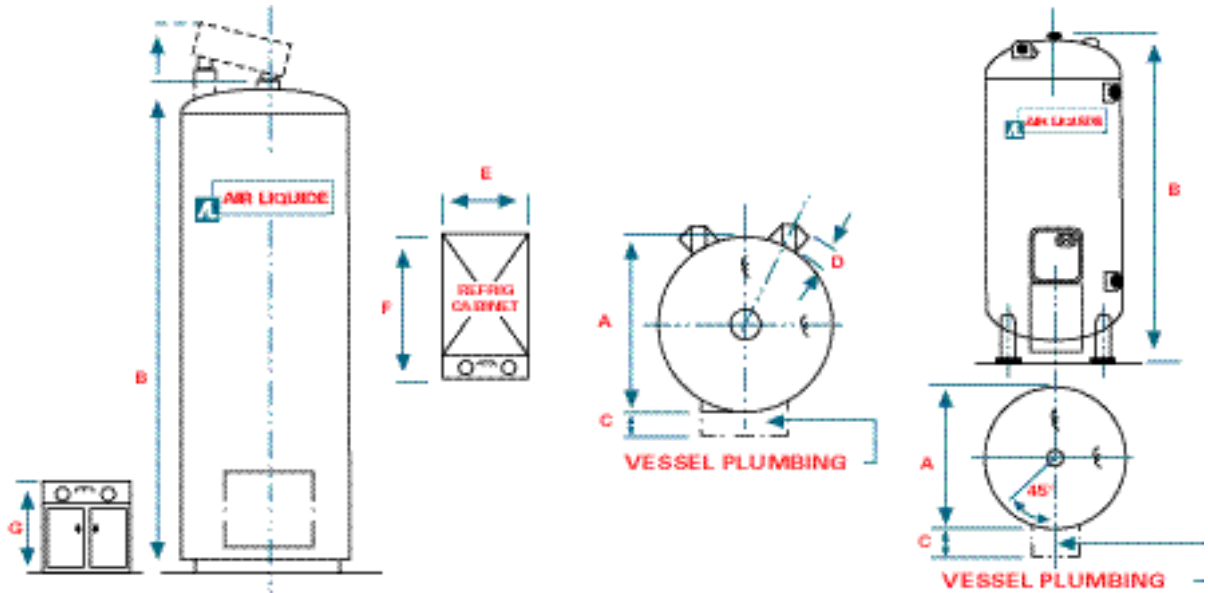


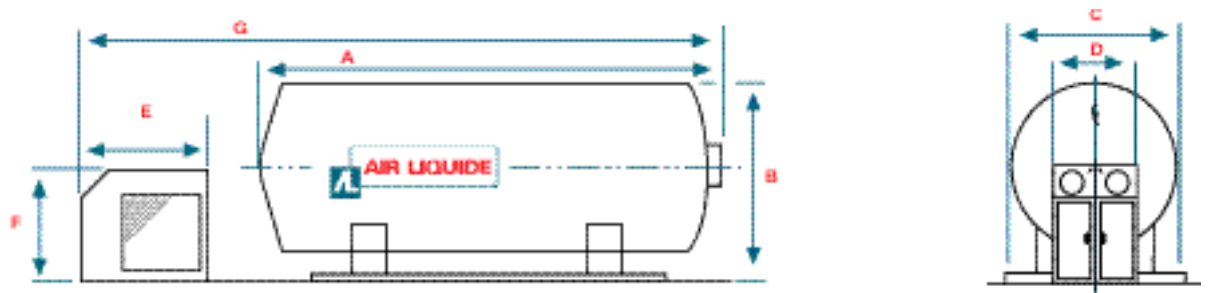
Bulk Liquid Systems

TECH SPECS

LOW TEMPERATURE VESSELS



LTV (NON CAPACITY)	PHYSICAL DIMENSIONS (mm)							WT. EMPTY (kg)	Max. W.P. (kPa)	Net. LCO ₂ Cap (Tonne)
	A	B	C	D	E	F	G			
LTV 1	1,270	2,745	280	/	/	/	/	1,250	2,143	1.00
LTV 1.3	1,220	2,905	610	/	/	/	/	1,500	1,035	1.30
LTV 1.5	1,500	3,300	700	/	/	/	/	2,000	2,350	1.50
LTV 6	2,440	3,735	610	/	/	/	/	3,000	1,035	6.67
LTV 13.3	2,440	7,200	360	300	/	/	/	8,000	2,700	13.3
LTV 25	2,135	7,010	1,000	500	1,160	1,350	1,060	8,800	2,700	24.5
LTV 50	3,060	12,500	500	350	915	1,945	1,073	21,000	2,200	50.0



LTH (NON CAPACITY)	PHYSICAL DIMENSIONS (mm)							WT. EMPTY (kg)	Max. W.P. (kPa)	Net. LCO ₂ Cap (Tonne)
	A	B	C	D	E	F	G			
LTH 1	2,700	2,010	1,525	/	/	/	2,700	2,000	2,350	1.00
LTH 3	4,000	2,440	1,630	1,375	400	1,525	4,270	2,700	2,350	3.00
LTH 4	4,270	1,825	1,670	915	1,020	1,145	5,420	3,200	2,350	4.00
LTH 6	5,030	1,980	1,625	915	1,020	1,145	6,275	3,700	2,350	6.00
LTH 25	7,620	3,100	2,600	915	1,020	1,145	8,900	13,000	2,350	25.00

NOTE: All data is typical - variations may occur due to manufacturing tolerances.

